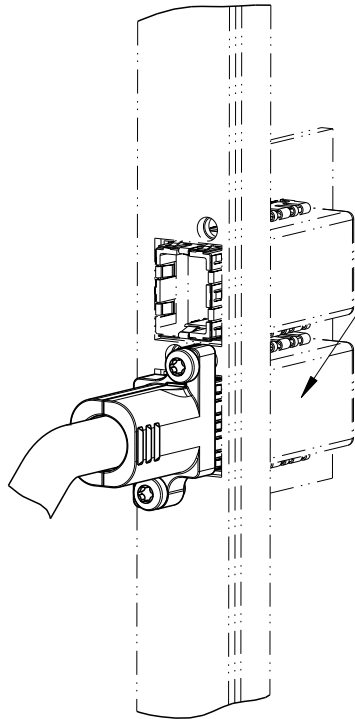
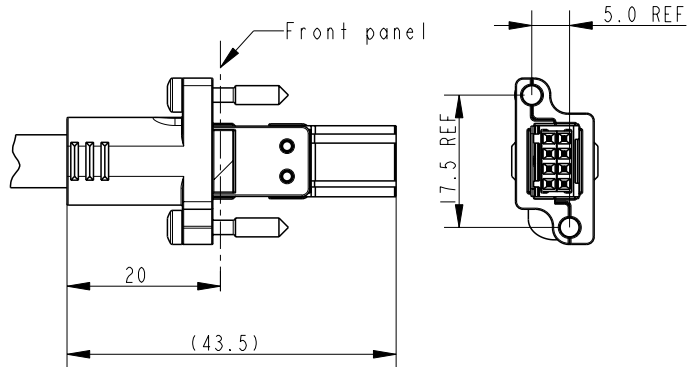


LEAD FREE PRODUCT NO.
72861-X01LF



See Sofix Shielded I/O



PRODUCT SPECIFICATION: GS-12-308
 PACKAGING SPECIFICATION: EUR-14-008
 APPLICATION SPECIFICATION: GS-20-050
 MATERIAL:
 1 TERMINALE BLOCK... 30% GLASS FILLED POLYAMIDE
 2 SHROUD..... 30% GLASS FILLED POLYAMIDE
 FLAME RETARDANT ACC. TO UL-94
 3 COVER..... ZINC ALLOY
 4 TERMINAL..... TINBRONZE
 5 FERRULE..... TINBRONZE
 6 SCREW..... STEEL

7-ROHS INFORMATIONS:
 -This "LF" product meets European Union Directives and other country regulations as described in GS-22-008.
 -This product is not intended to be exposed to a manufacturing solder process
 -Packaging spec: See GS-14-920



Copyright FCI.

rev	ecn no	dr	date
B	B20112	ES	2002/06/30
C	LS4129	JTA	2004/12/15
D	LS05-0102	JTA	2005/08/11
E	LS06-0107	LGO	2006/08/30
F	LS06-0143	LGO	2006/09/25
G	LS07-0285	JTA	2007/11/09
-	-	-	-

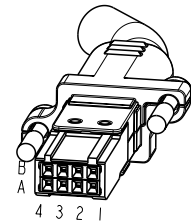
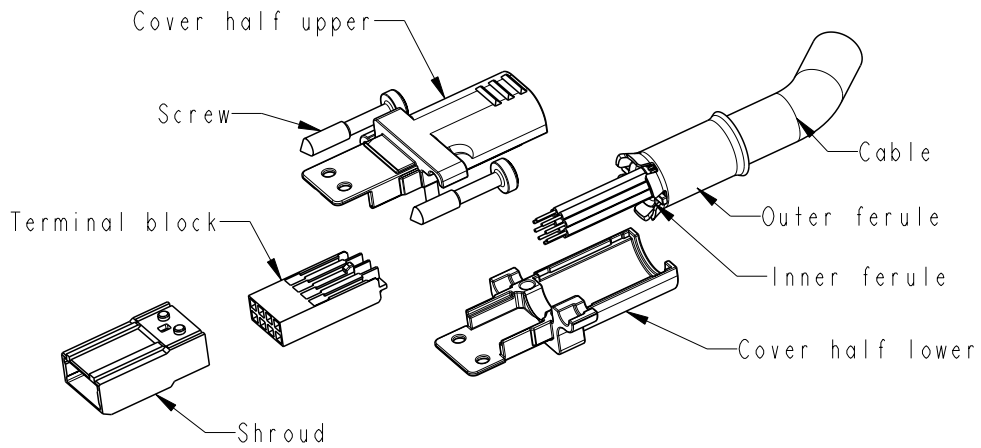
72861-X01LF		G
72861-101LF	Standard Product	
72861-201LF	Customer Special	

www.fciconnect.com			surface 0.8 / ISO 1302		tolerance std / ISO 406 ISO 1101		projection		mm		
TOLERANCES UNLESS OTHERWISE SPECIFIED					size		A4		Scale 1:1		
Dr	Stroeykens	2002/06/30	ANGULAR	LINEAR	0.X	±0.3	ECN	LS07-0285	Spec ref	RELEASED	
Eng	G.Nys	2002/06/30			0.XX	±0.1					
Chr	W.Panis	2002/06/30	0° ±2°		0.XXX	±0.05					
Appr	W.Panis	2002/06/30	Product family			METRAL SOFIX					
			title SHIELDED CABLE CONNECTOR 8 POS - IDC catalog no				dwg no 72861_C Rev. G			CUSTOMER COPY sheet 1 of 3	

REV F - 2006-04-17



Copyright FCI.



www.fciconnect.com			surface 0.8 / ISO 1302		tolerance std ISO 406 ISO 1101		projection	mm
TOLERANCES UNLESS OTHERWISE SPECIFIED								
Dr	Stroeykens	2002/06/30	ANGULAR	LINEAR	0.X	±0.3	size A4	Scale 1:1
Eng	G.Nys	2002/06/30			0.XX	±0.1		
Chr	W.Panis	2002/06/30	0°	±°	0.XXX	±0.05	ECN	LS07-0285
Appr	W.Panis	2002/06/30	Product family METRAL SOFIX			Spec ref		RELEASED
			title SHIELDED CABLE CONNECTOR			dwg no 72861_C		Rev. G
			8 POS - IDC			CUSTOMER COPY		sheet 2 of 3
catalog no								

REV F - 2006-04-17

PDM: Rev:G

STATUS: Released

Printed: Apr 17, 2008

LEAD-FREE PRODUCTS:(see note 7)

Kit: 72861-X01LF



COMPONENTS	QTY
COVER UPPER	1
COVER LOWER	1
FERRULE OUTER	1
FERRULE INNER	1
SCREW	2
SHROUD	1
TERMINAL BLOCK	1

Dimension with oval around are critical dimensions including any attached geometrical tolerance. Other features or stand-alone geometrical tolerances being critical have a note "CRITICAL FEATURE" below the item

A symbol $\triangle x$ (x: drawing current revision) will be next to any dimension, view or note which has been modified with the current drawing revision



Copyright FCI.

www.fciconnect.com			surface 0.8 / ISO 1302		tolerance std ISO 406 ISO 1101		projection 		mm 						
			TOLERANCES UNLESS OTHERWISE SPECIFIED												
Dr	Stroeykens	2002/06/30	ANGULAR	LINEAR	0.X	±0.3	size A4	Scale 1:1							
Eng	G.Nys	2002/06/30			0.XX	±0.1									
Chr	W.Panis	2002/06/30	0°	±°	0.XXX	±0.05	ECN		LS07-0285						
Appr	W.Panis	2002/06/30	Product family			METRAL SOFIX		Spec ref		RELEASED					
		title				SHIELDED CABLE CONNECTOR				dwg no		72861_C		Rev.	
		8 POS - IDC										G			
		catalog no				CUSTOMER COPY				sheet 3 of 3					

REV F - 2006-04-17